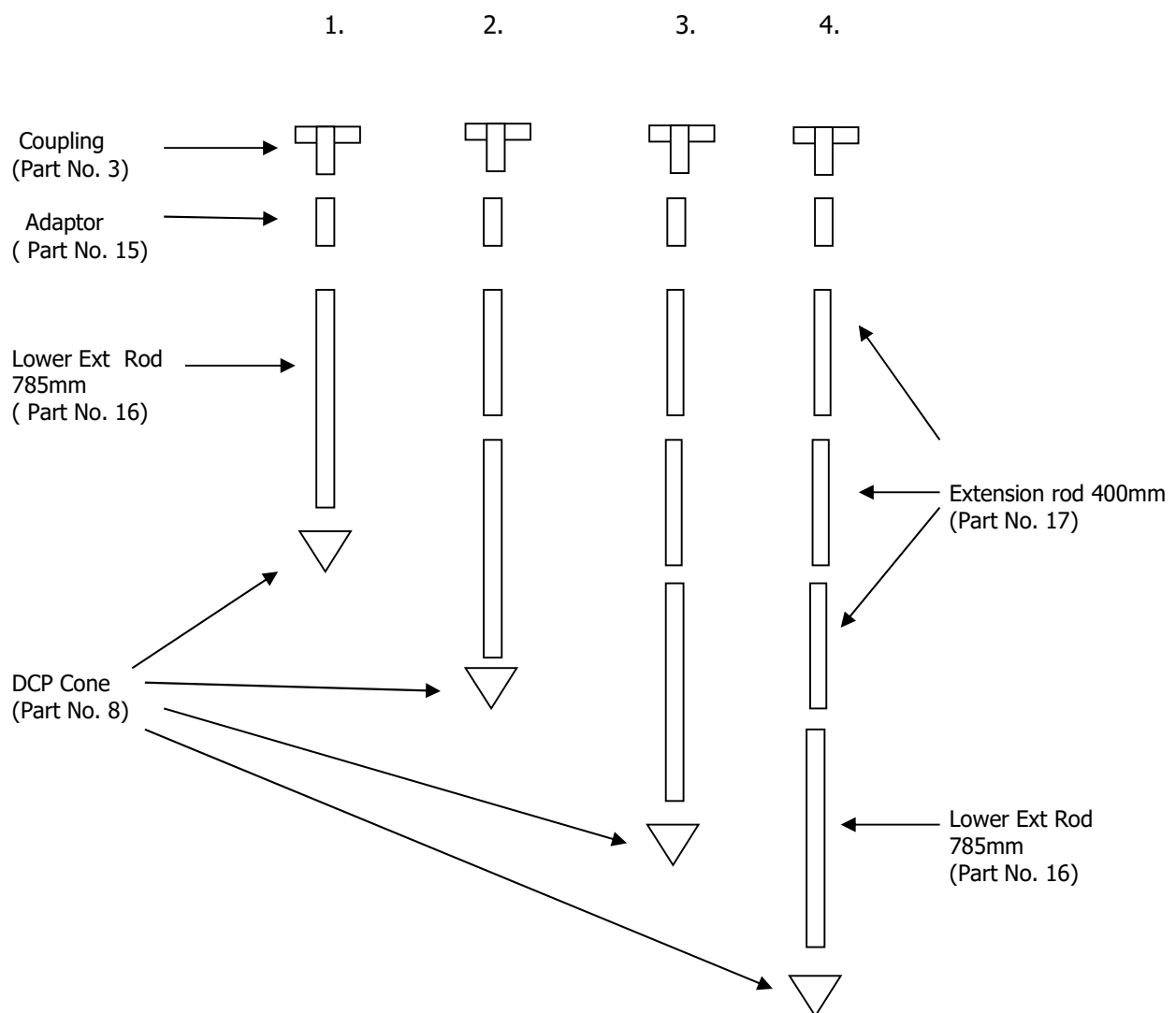


DCP Extension kit configuration

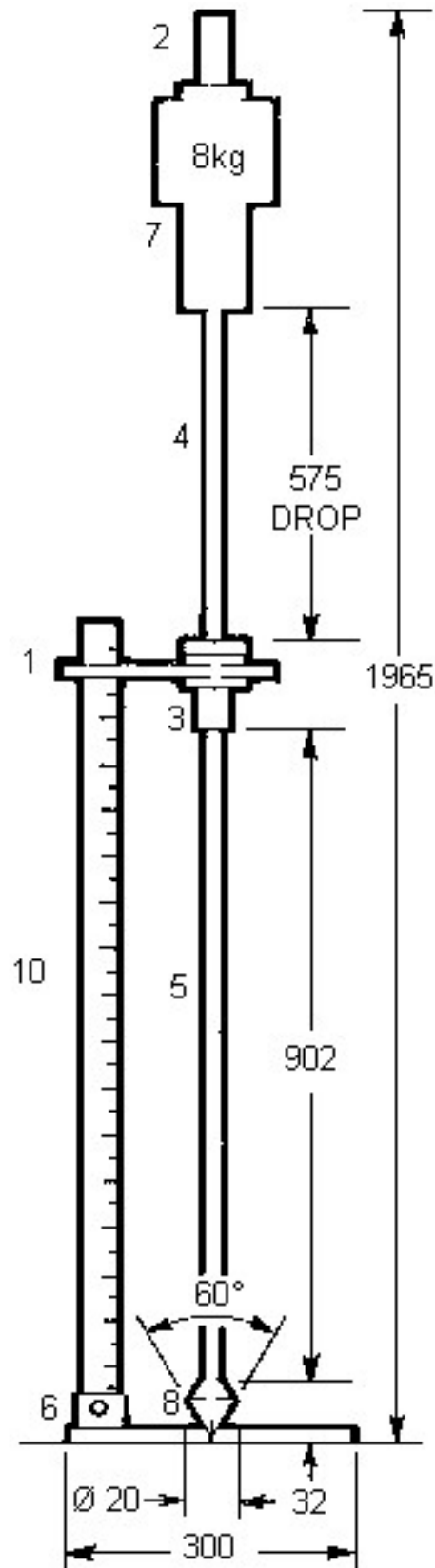
1. Coupling (3), Adaptor 70mm (15), Lower Extension rod 785mm (16) , DCP Cone (8)
2. Coupling (3), Adaptor 70mm (15), 1 x Extension rod 400mm (17), Lower Extension rod 785mm (16), DCP Cone (8)
3. Coupling (3), Adaptor 70mm (15), 2 x Extension rod 400mm (17), Lower Extension rod 785mm (16), DCP Cone (8)
4. Coupling (3), Adaptor 70mm (15), 3 x Extension rod 400mm (17), Lower Extension rod 785mm (16), DCP Cone (8)



To extend the DCP to work past 1m deep, the operator has to remove the 900mm rod (No. 5) and put it back in the box.

1. Screw the adaptor 70mm into the coupling, this then takes the 785mm lower extension rod, which in turn takes the cone.
2. To extend further unscrew the 785mm lower ext. rod, and insert a 400mm extension rod into the adaptor 70mm, then screw the 785mm lower ext. rod back into the 400mm ext. rod.

3 & 4 To continue extending just unscrew each 400mm ext. rod, and put another one in.



A2465 ASSEMBLED DCP
Figure 1